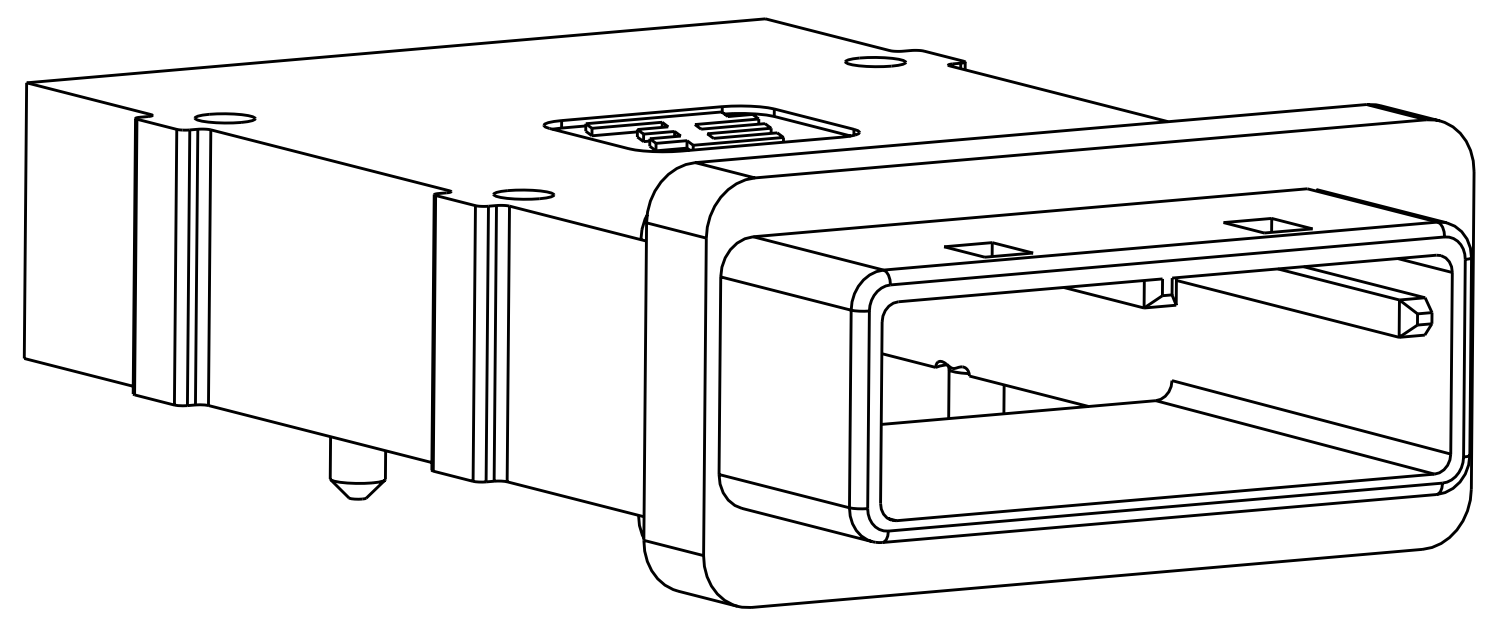
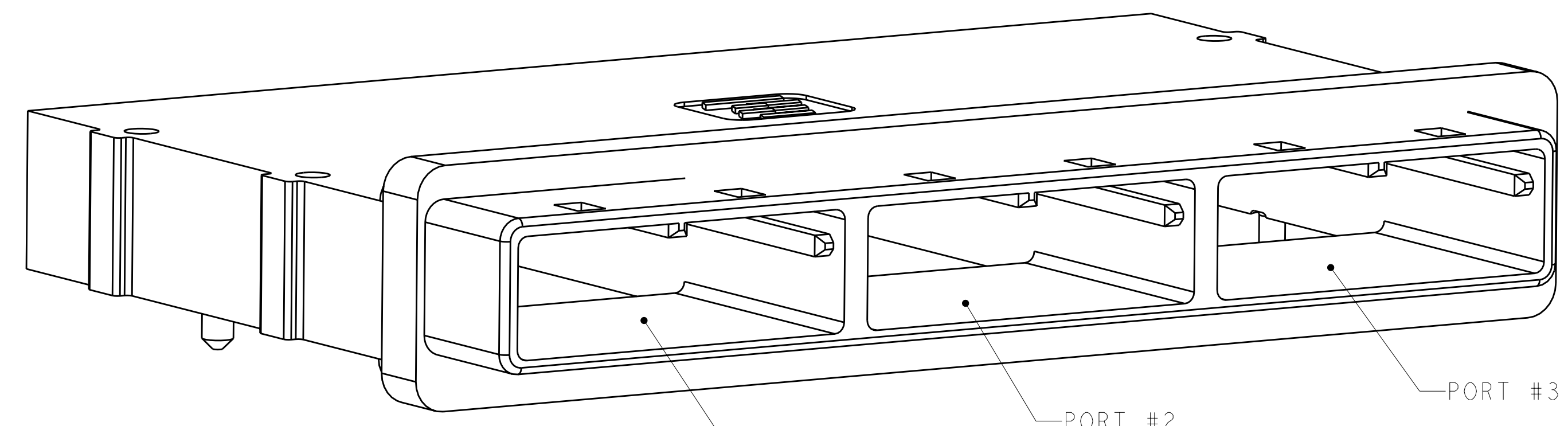


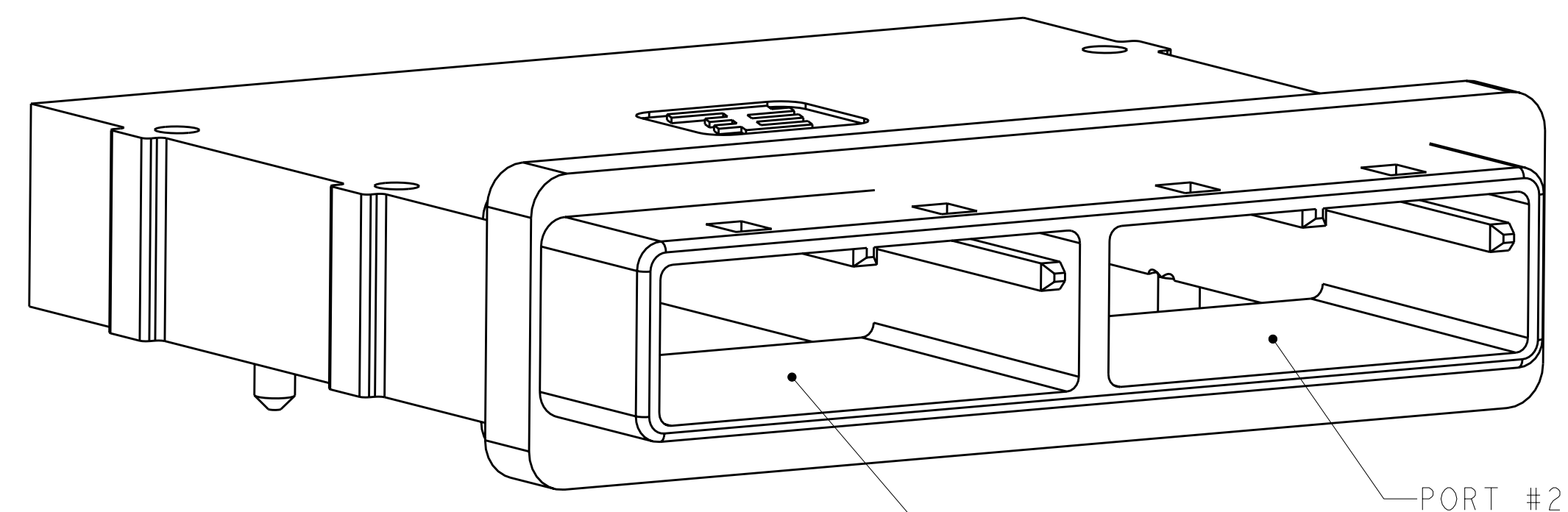
LOC	DIST	REVISIONS			
P	LTB	DESCRIPTION	DATE	DWN	APVD
GP	00	A	RELEASED PER ECO-08-005758	14MAR2008	ZMR DLG



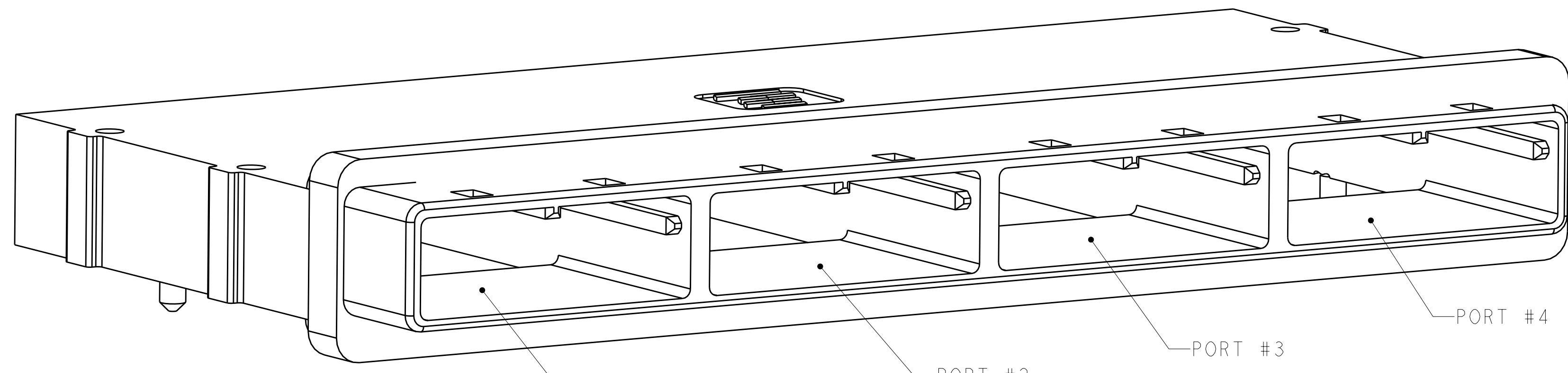
1888321-1  
SCALE 5:1



1888321-3  
SCALE 5:1



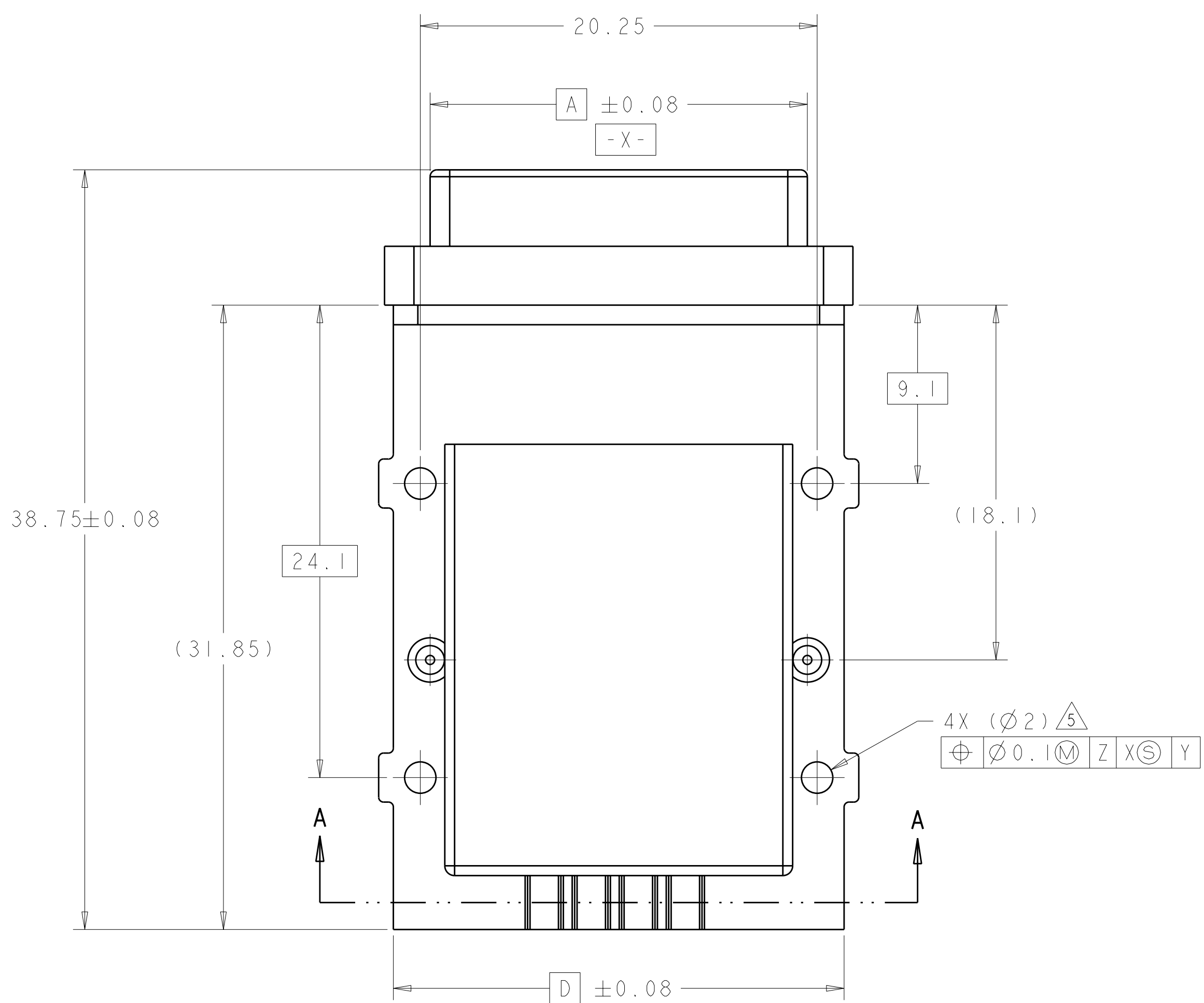
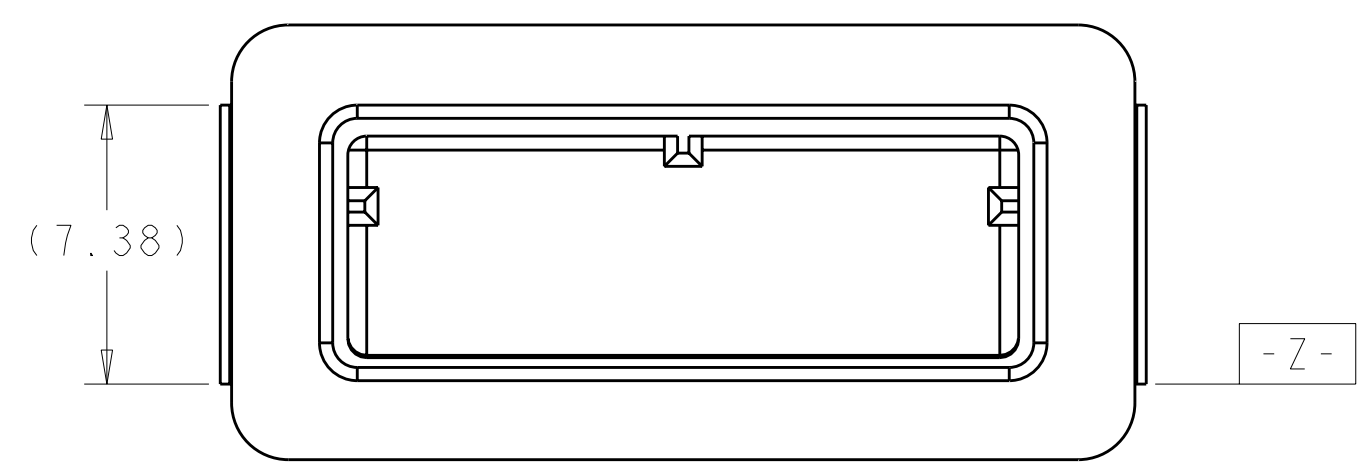
1888321-2  
SCALE 5:1



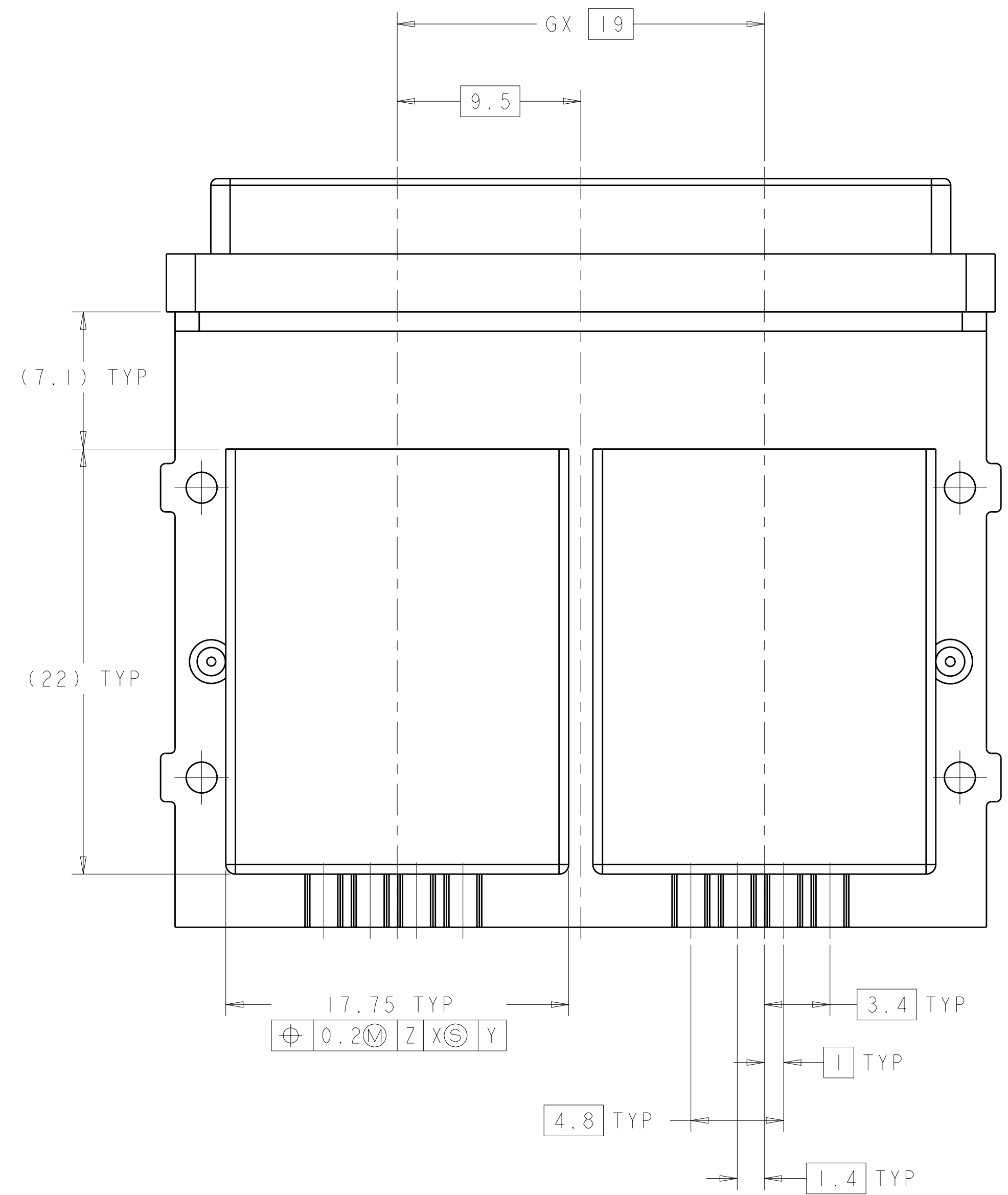
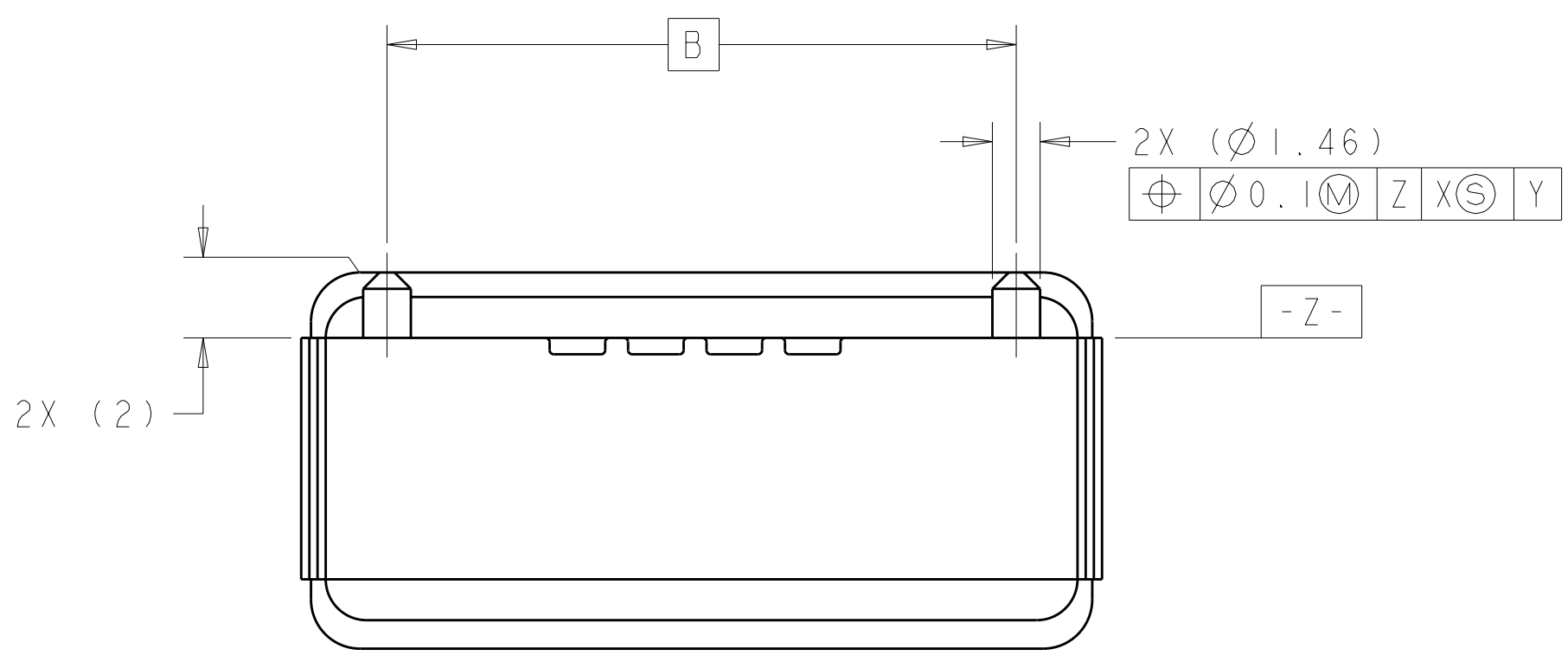
1888321-4  
SCALE 5:1

<small>THIS DRAWING IS UNPUBLISHED. RELEASED FOR PUBLICATION 20                  © COPYRIGHT 20 BY TYCO ELECTRONICS CORPORATION, ALL RIGHTS RESERVED.</small>		DWN J. POLIGNONE 0TAUG07 CHK D. GORENC 0TAUG07 APVD D. GORENC 0TAUG07	Tyco Electronics Harrisburg, PA 17105-3608
DIMENSIONS: mm 		TOLERANCES UNLESS OTHERWISE SPECIFIED: 0 PLC ± 1 PLC ± 2 PLC ± 3 PLC ± 4 PLC ± ANGLES ±	NAME EVERCLEAR Mini-SAS EXTERNAL RECEPTACLE SHELL ASSEMBLY SIZE CAGE CODE DRAWING NO A 100779 C-1888321
MATERIAL SEE NOTES FINISH SEE NOTES		WEIGHT CUSTOMER DRAWING	RESTRICTED TO SCALE 3:1 SHEET 1 OF 4 REV A

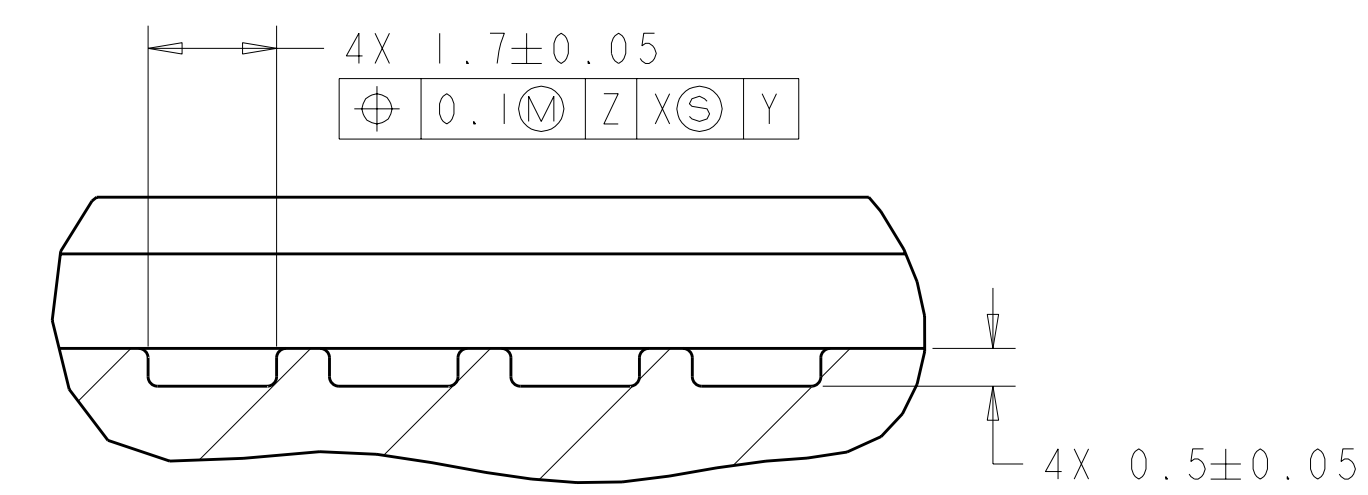
LOC	DIST	REV	DATE	BY	APPD
GP	00				
		REVISIONS			
		DESCRIPTION	DATE	BY	APPD
		SEE SHEET 1			



RECOMMENDED SINGLE PORT LAYOUT  
 SAME AS 1888321-1 EXCEPT AS SHOWN  
 SCALE 5:1



RECOMMENDED MULTI-PORT LAYOUT,  
 SAME AS 1888321-1, EXCEPT AS SHOWN  
 SCALE 5:1



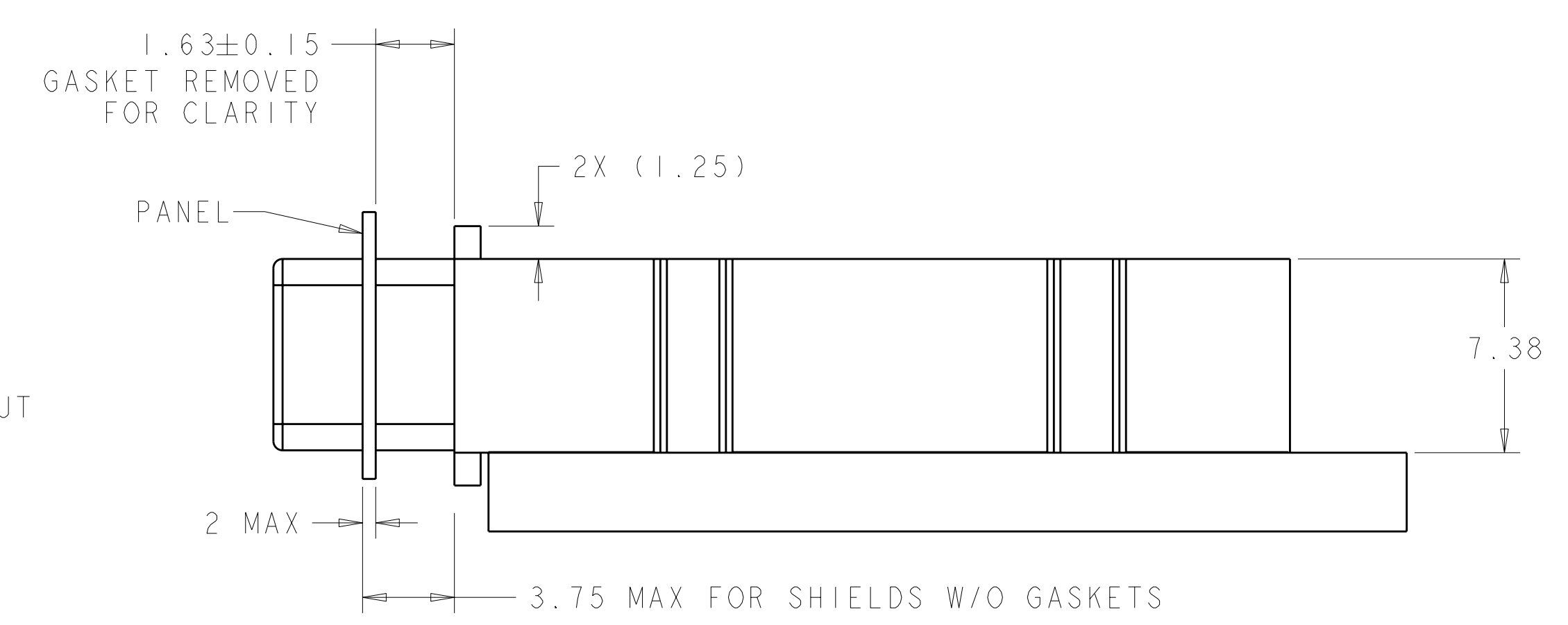
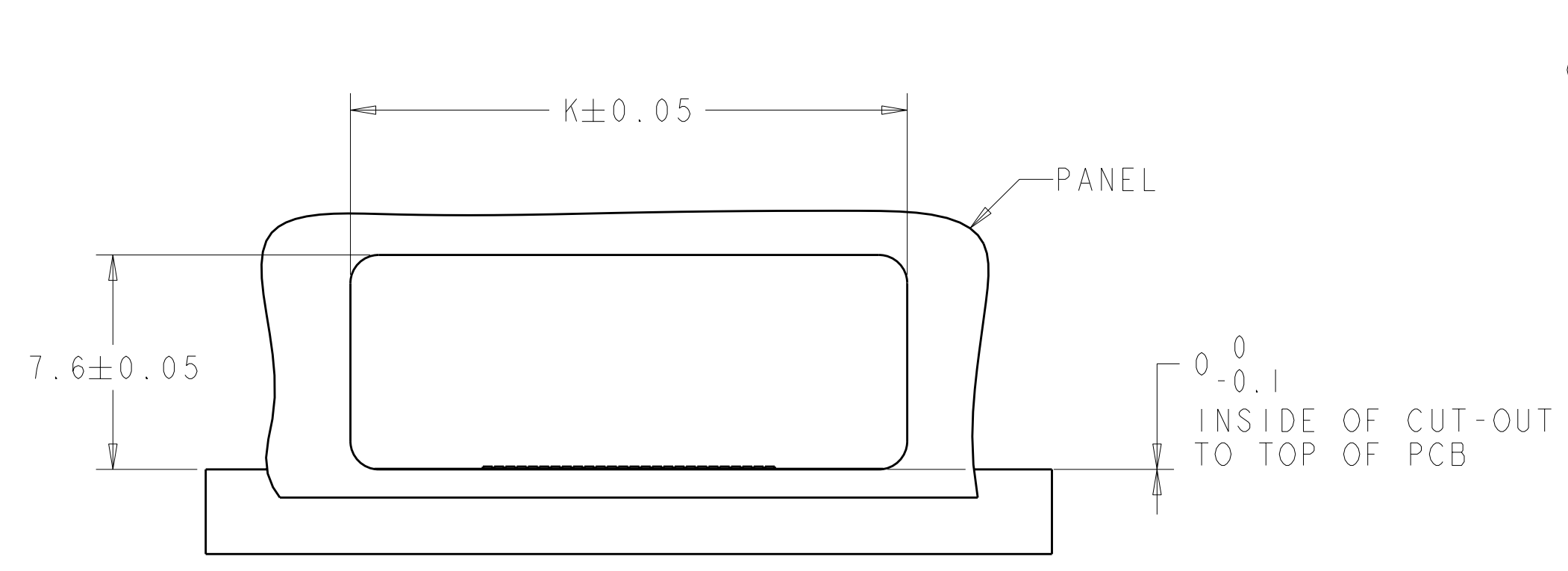
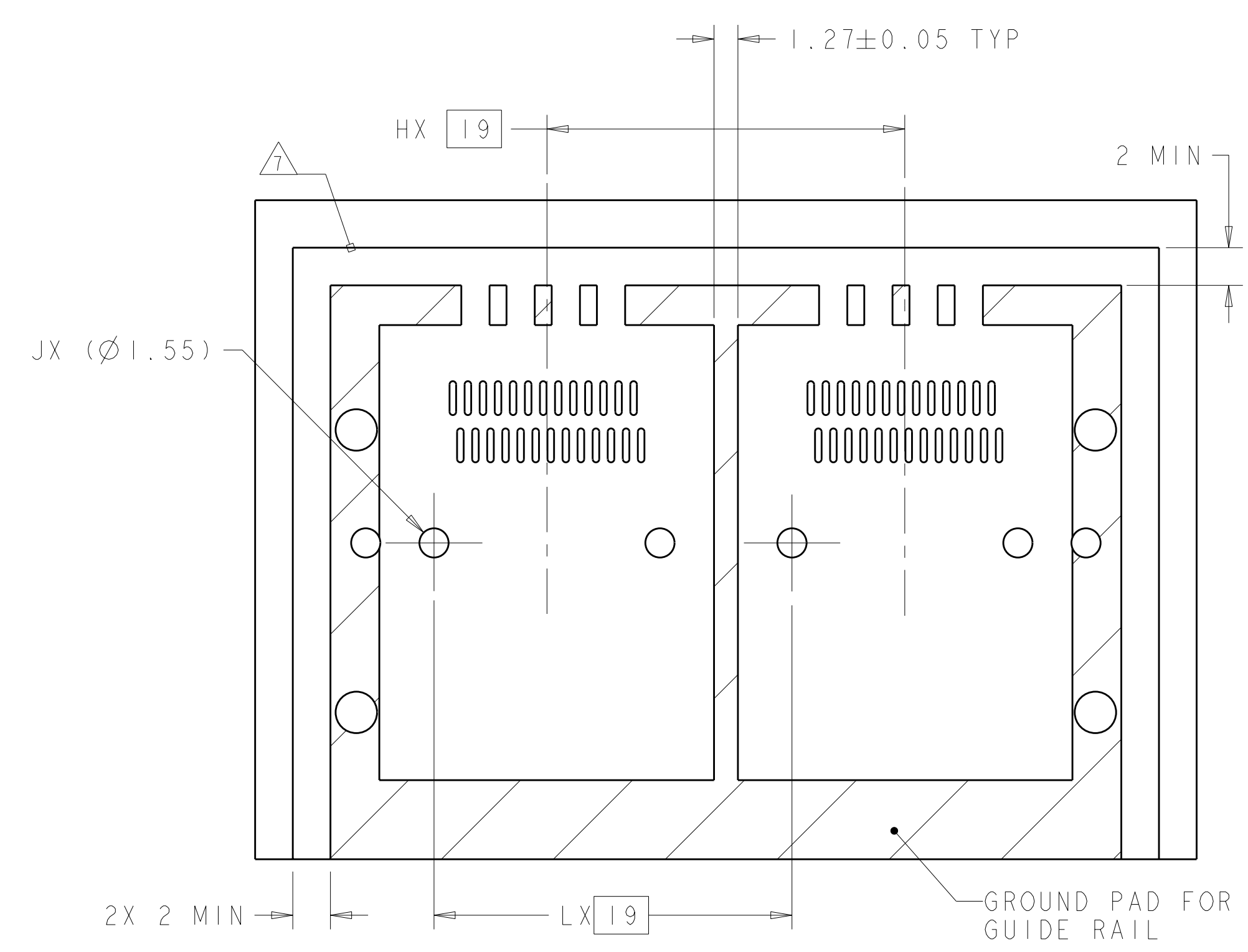
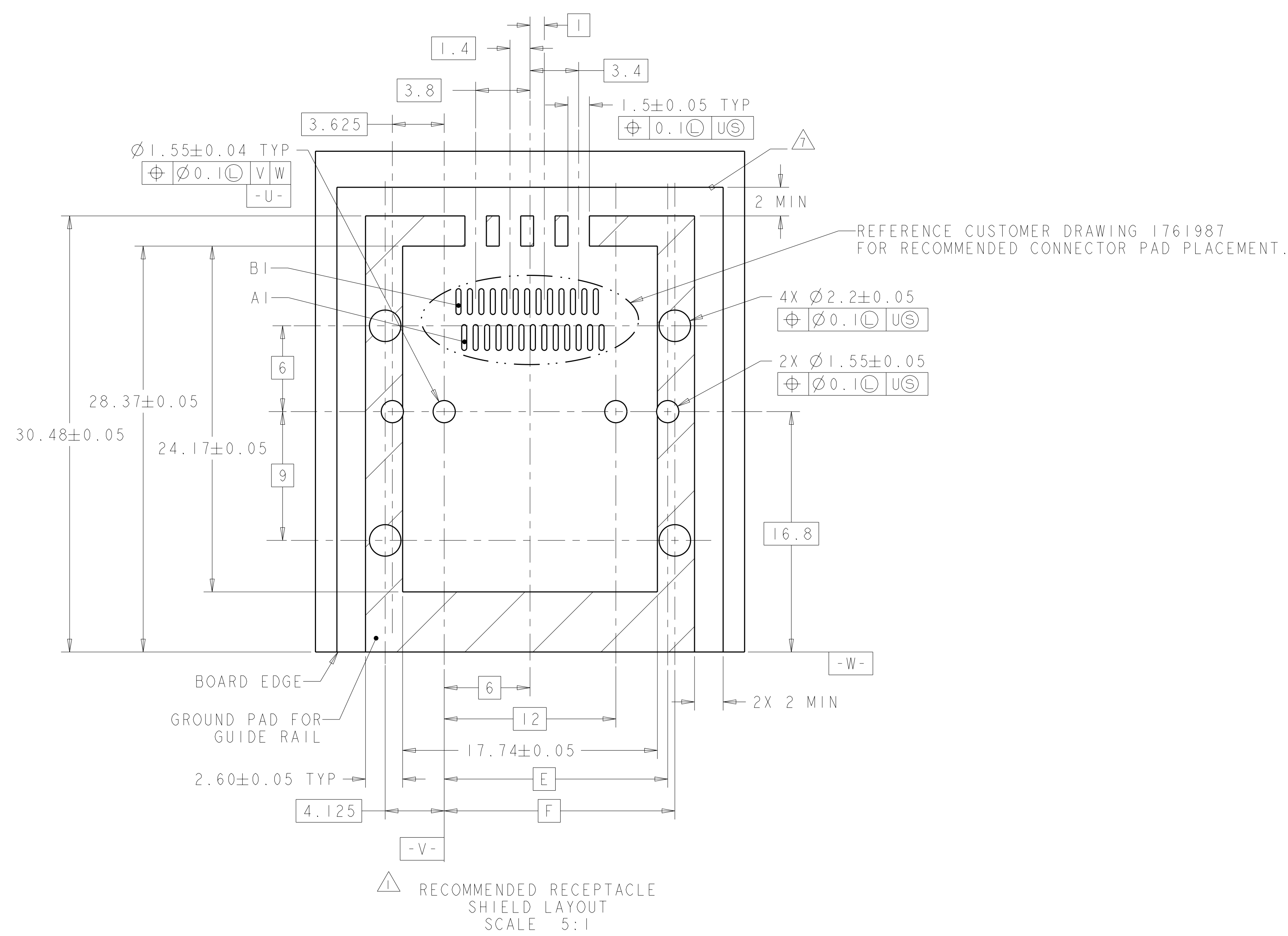
SECTION A-A  
 SCALE 10:1

DIMENSIONS: mm 		TOLERANCES UNLESS OTHERWISE SPECIFIED: 9 PLC ± 1 PLC ± 5 PLC ± 4 PLC ± ANGLES ± FINISH SEE NOTES		DWN J. POLIGNONE 0TAUG07 CHK D. GORENC 0TAUG07 APVD D. GORENC 0TAUG07 NAME EVERCLEAR Mini-SAS EXTERNAL RECEPTACLE SHELL ASSEMBLY SIZE CAGE CODE DRAWING NO. RESTRICTED TO A 100779 C-1888321 SCALE 3:1 SHEET 2 OF 4 REV A	
MATERIAL SEE NOTES		MATERIAL SEE NOTES		Tyco Electronics Harrisburg, PA 17105-3608 Tyco Electronics Corporation EVERCLEAR Mini-SAS EXTERNAL RECEPTACLE SHELL ASSEMBLY A 100779 C-1888321 SCALE 3:1 SHEET 2 OF 4 REV A	

LOC	DIST	REV	DATE	DWN	APVD
GP	00				

REVISIONS		DATE	DWN	APVD
-	SEE SHEET 1	-	-	-

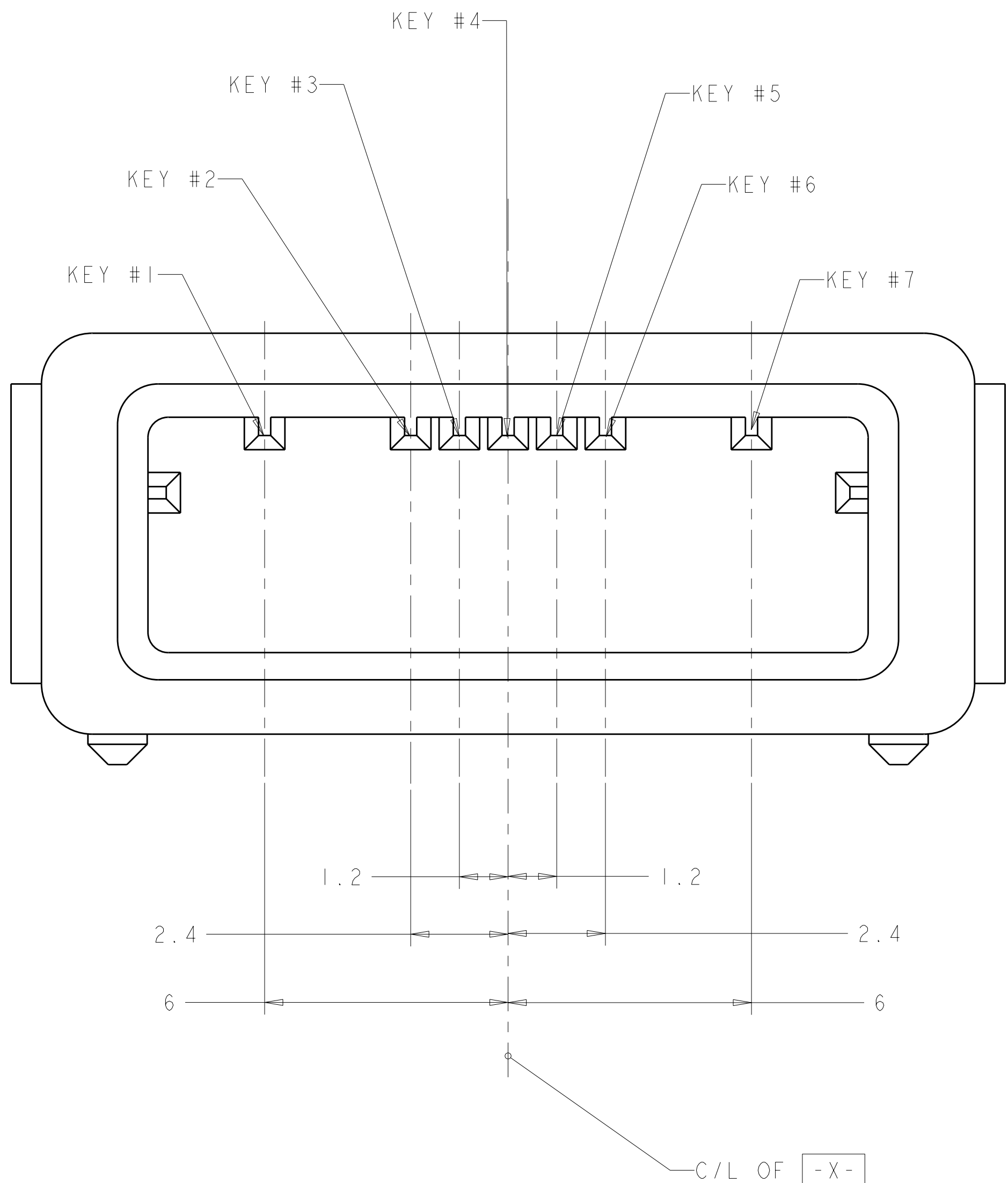


DIMENSIONS: mm 		TOLERANCES UNLESS OTHERWISE SPECIFIED: 0 PLC ± 1 PLC ± 2 PLC ± 3 PLC ± 4 PLC ± ANGLES ± FINISH SEE NOTES		DWN J. POLIGNONE 01AUG07 CHK D. GORENC 01AUG07 APVD D. GORENC 01AUG07 NAME EVERCLEAR Mini-SAS EXTERNAL RECEPTACLE SHELL ASSEMBLY SIZE CAGE CODE DRAWING NO. RESTRICTED TO A 100779 C-1888321 SCALE 5:1 SHEET 3 OF 4 REV A	
MATERIAL SEE NOTES		CUSTOMER DRAWING		Tyco Electronics Harrisburg, PA 17105-3608	

LOC	DIST	REV	DATE	BY	APPD
GP	00				

REVISIONS			
REV	DATE	BY	APPD
-	-	-	-
SEE SHEET 1			



POSSIBLE KEYING POSITION LOCATIONS  
 SCALE 10:1

- 1. LOCATIONS OF DATUMS TO BE DETERMINED BY THE CUSTOMER.
- 2. ZINC DIE CAST PER ASTM B 86.
- 3. PASSIVATE PER ASTM B 102 OVER 2.54µm MINIMUM NICKEL PLATE PER QQ-N-290 OVER 5.08µm MINIMUM COPPER PLATE PER AMS 2418
- 4. OMNI DIRECTIONAL CONDUCTIVE FOAM
- 5. SHELLS AFFIXED TO PCB VIA CUSTOMER SUPPLIED M2 x 0.4mm THREADED SCREWS.
- 6. PRODUCT USED IN CONJUNCTION WITH SURFACE MOUNT CONNECTOR 1761987-1.
- 7. RAISED SOLDER MASK KEEP OUT AREA, APPLIES TO AREA INSIDE BOX.
- 8. PRELIMINARY NOT RELEASED FOR PRODUCTION.

I	38.75	4	I	I	35.125	34.625	42	39.25	38.25	38.25	2-4	2-4	-	-	2	I-1888321-3
I	38.75	4	I	I	35.125	34.625	42	39.25	38.25	35.25	4-6	2-4	-	-	2	I-1888321-2
I	38.75	4	I	I	35.125	34.625	42	39.25	38.25	38.25	2	6	-	-	2	I-1888321-1
I	38.75	4	I	I	35.125	34.625	42	39.25	38.25	38.25	2	2	-	-	2	I-1888321-0
N/A	19.75	2	N/A	N/A	16.125	15.625	23	20.25	19.25	19.25	4-6	-	-	-	1	1888321-9
N/A	19.75	2	N/A	N/A	16.125	15.625	23	20.25	19.25	19.25	2-4	-	-	-	1	1888321-8
N/A	19.75	2	N/A	N/A	16.125	15.625	23	20.25	19.25	19.25	6	-	-	-	1	1888321-7
N/A	19.75	2	N/A	N/A	16.125	15.625	23	20.25	19.25	19.25	2	-	-	-	1	1888321-6
3	76.75	8	3	3	73.125	72.625	80	77.25	76.25	76.25	4	4	4	4	4	1888321-4
2	57.75	6	2	2	54.125	53.625	61	58.25	57.25	57.25	4	4	4	-	3	1888321-3
I	38.75	4	I	I	35.125	34.625	42	39.25	38.25	38.25	4	4	-	-	2	1888321-2
N/A	19.75	2	N/A	N/A	16.125	15.625	23	20.25	19.25	19.25	4	-	-	-	1	1888321-1
L	K	J	H	G	F	E	D	C	B	A	KEYING POSITION				# OF PORTS	PART NUMBER
											PORT 1 (SINGLE PORT)	PORT 2	PORT 3	PORT 4		

DIMENSIONS: mm		TOLERANCES UNLESS OTHERWISE SPECIFIED:		DWN J. POLIGNONE 01AUG07		Tyco Electronics Harrisburg, PA 17105-3608	
9 PLC ±		0.15		CHK D. GORENC 01AUG07		NAME EVERCLEAR Mini-SAS EXTERNAL RECEPTACLE SHELL ASSEMBLY	
1 PLC ±		0.10		APVD D. GORENC 01AUG07		SIZE CAGE CODE DRAWING NO RESTRICTED TO	
2 PLC ±		0.075		PRODUCT SPEC		A100779C=1888321	
3 PLC ±		0.05		APPLICATION SPEC		SCALE 3:1 SHEET 4 OF 4 REV A	
4 PLC ±		0.0375		WEIGHT		CUSTOMER DRAWING	
ANGLES		±		FINISH			
MATERIAL SEE NOTES		FINISH SEE NOTES					